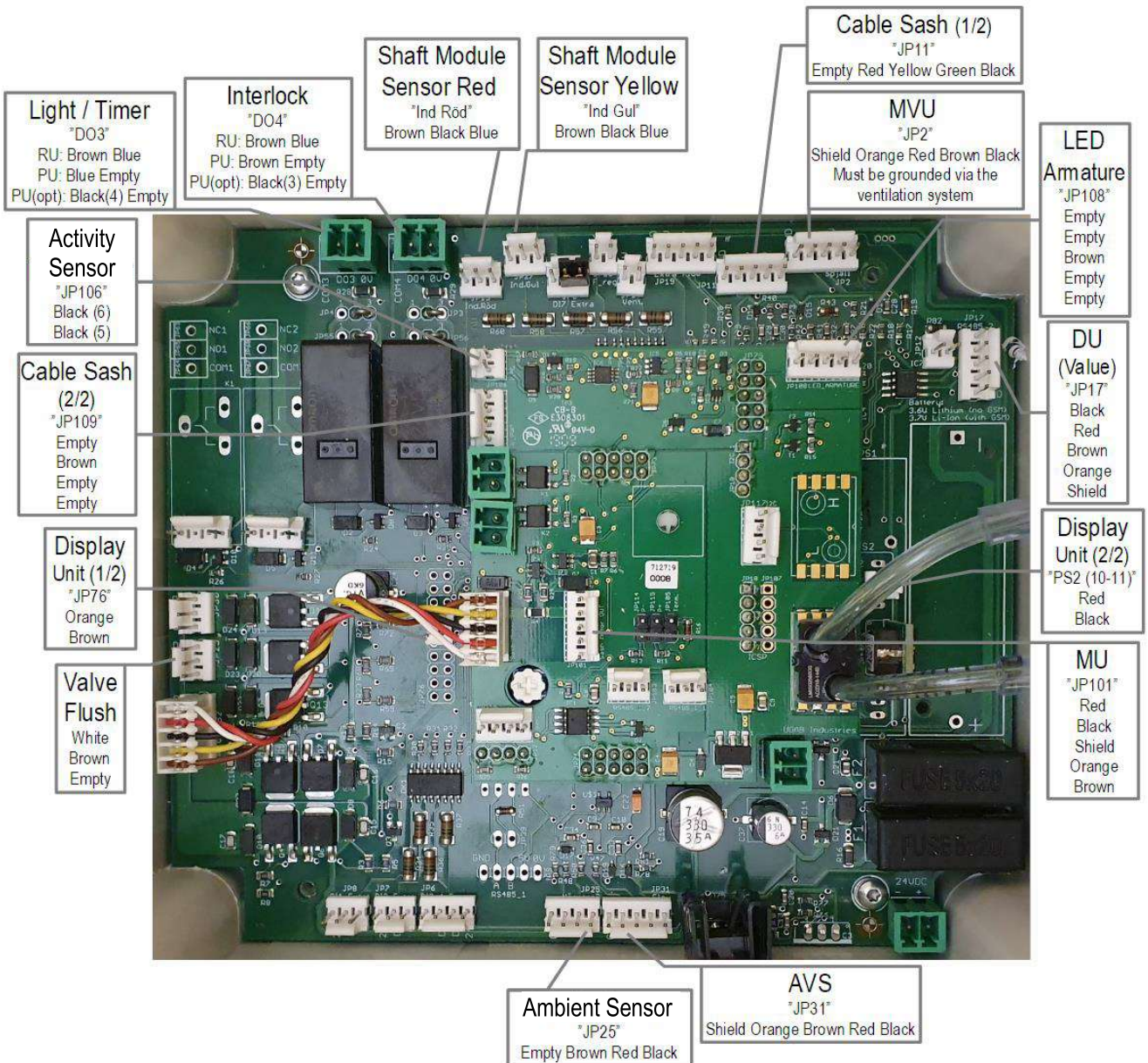


2.11 935031 CONTROL UNIT ULT09



Install the cables with cable glands into the predrilled holes and tighten the check-nuts. Connect according to picture above. Observe that several sensors/units are optional and may not be included in some configurations. Tighten the cable glands around the cables and put the lid on. Attach the enclosure to the top of the Fume hood with 905027 self-adhesive tape.